

# **L2 Telescope Payload Support Structure Concept**

**Thomas W. Packard**

Analex Corp/GRC Systems Analysis Branch

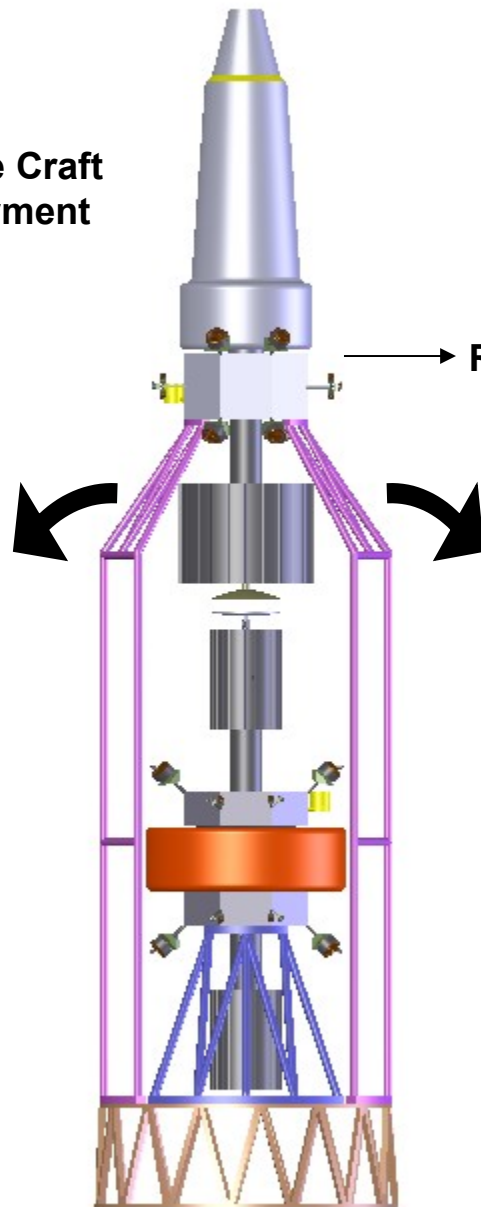
12/3/03

Notional Concept

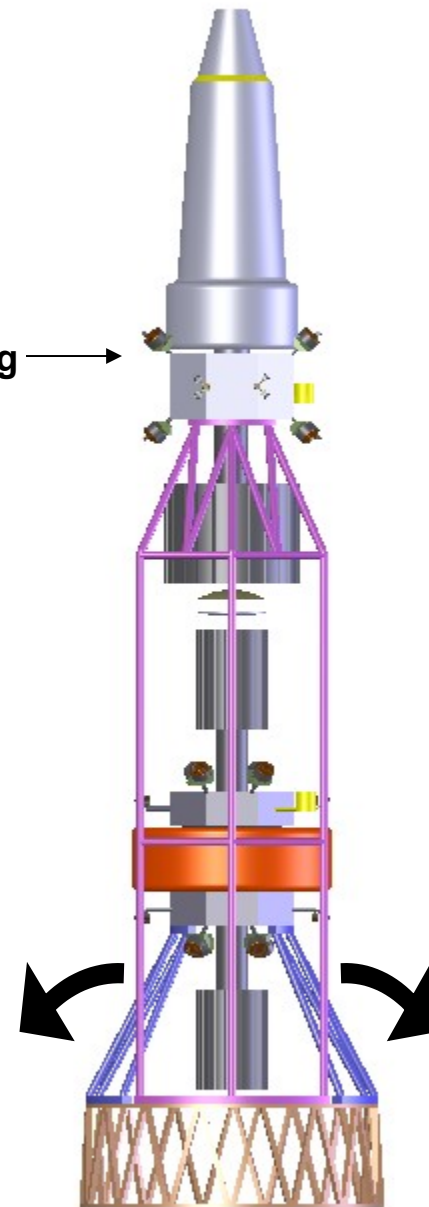
For NASA Internal Use Only

# Deployment

Science Craft  
Deployment



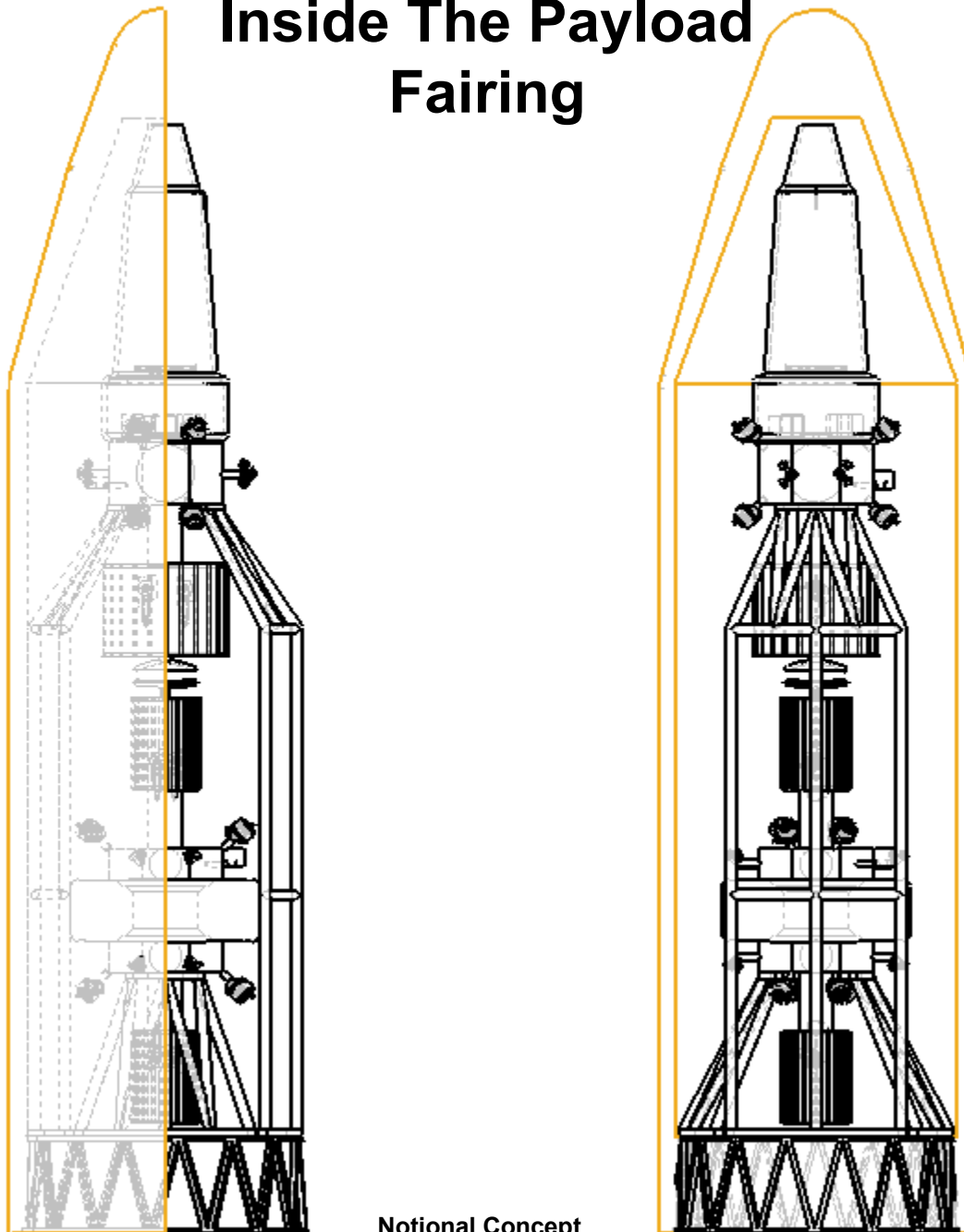
Aperture Craft  
Deployment



Notional Concept

For NASA Internal Use Only

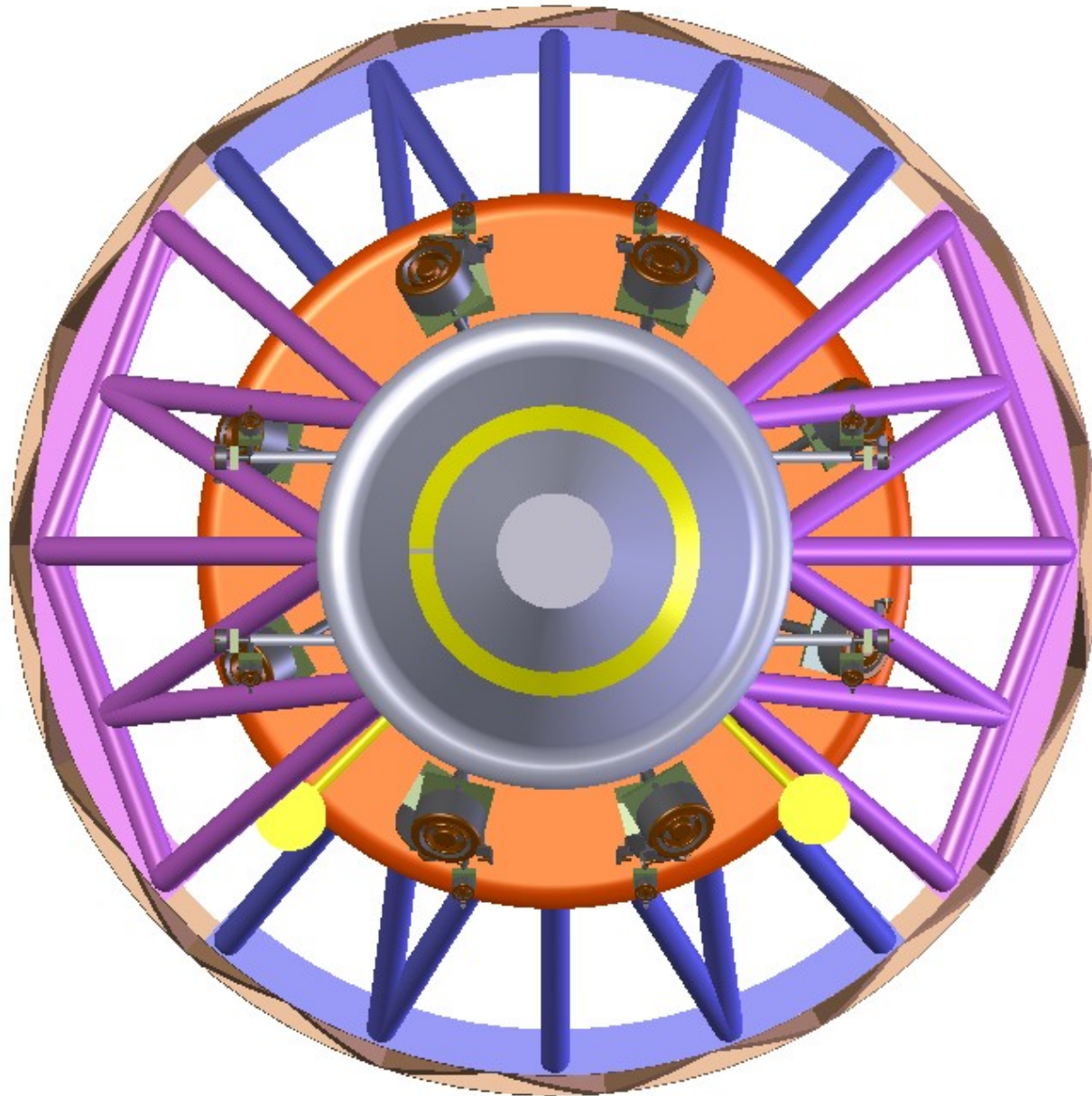
# Inside The Payload Fairing



Notional Concept

For NASA Internal Use Only

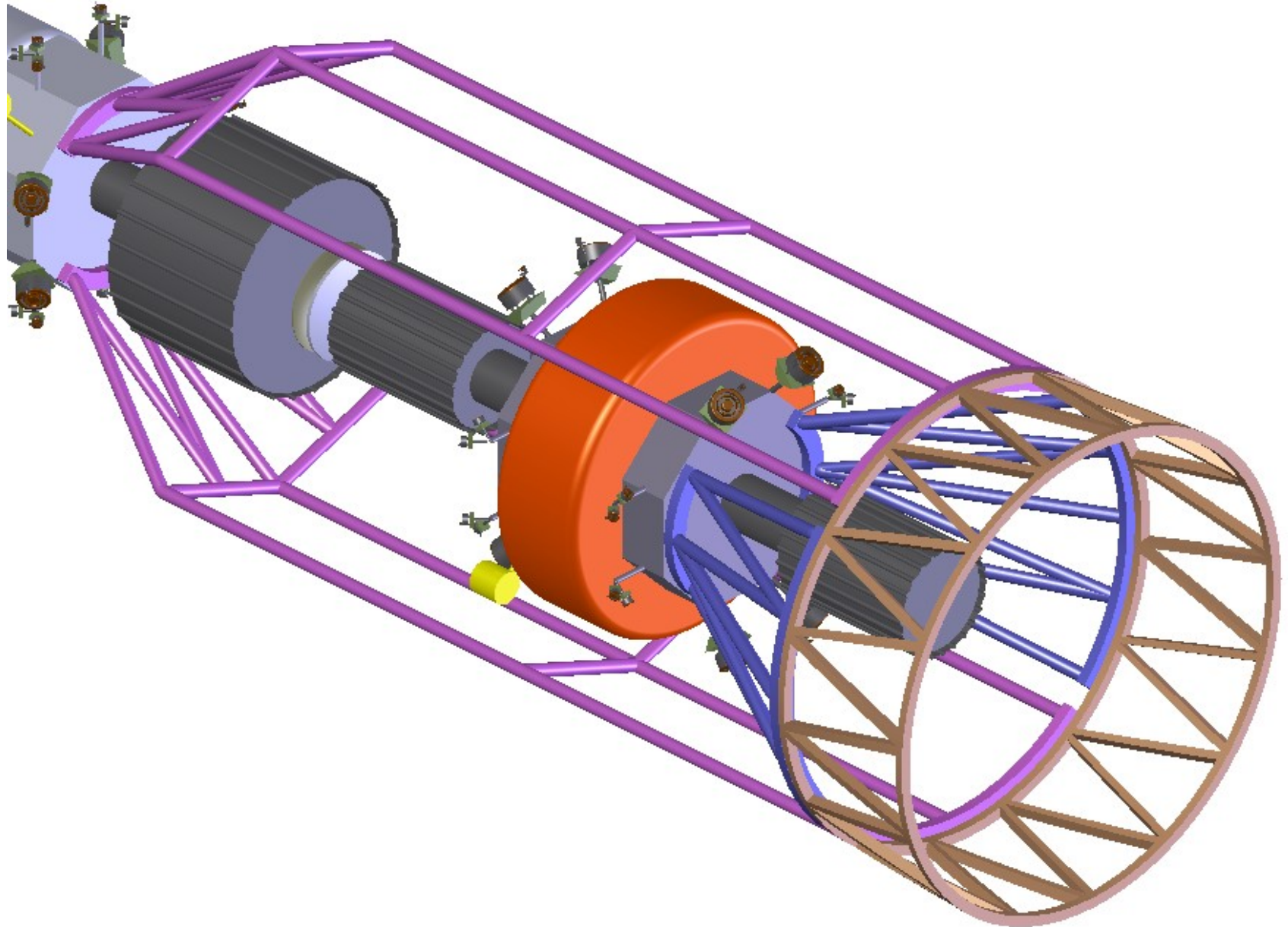
# End View From the Top of the Science Craft



Notional Concept

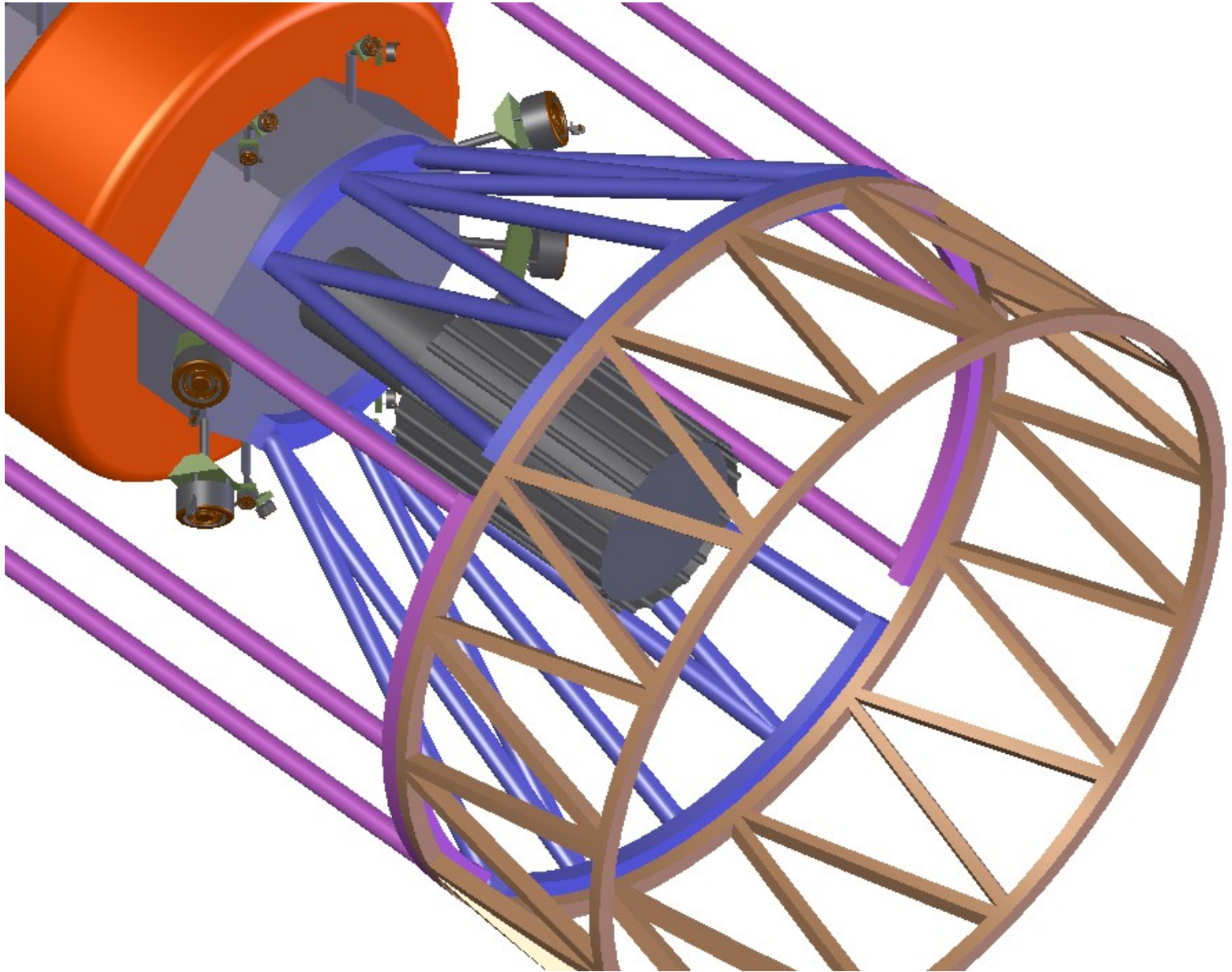
For NASA Internal Use Only

# Isometric View of Both Support Structures



Notional Concept  
For NASA Internal Use Only

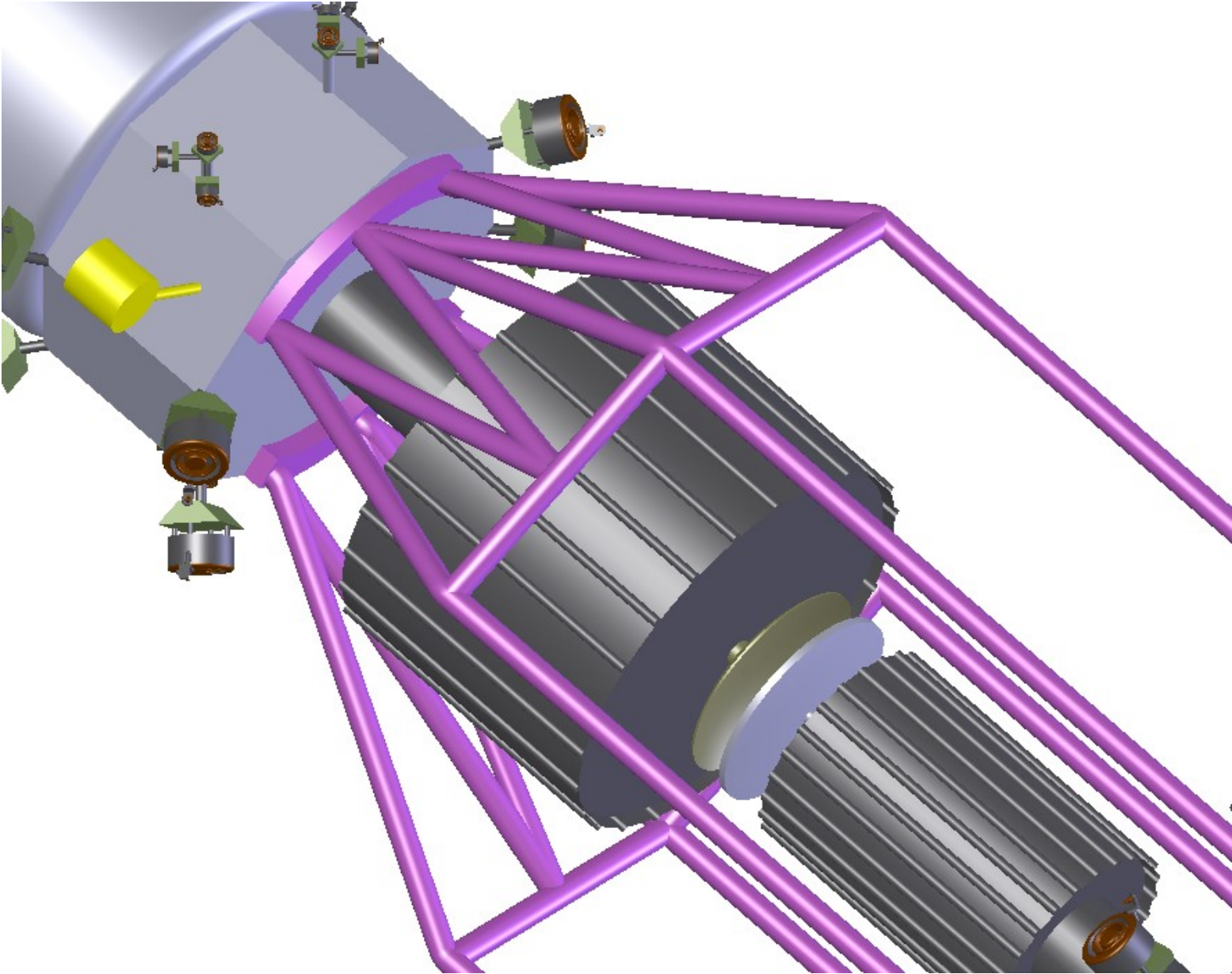
# Isometric View of Aperture Craft Support Structure



Notional Concept

For NASA Internal Use Only

# Isometric View of Aperture Craft Attach Points



Notional Concept

For NASA Internal Use Only